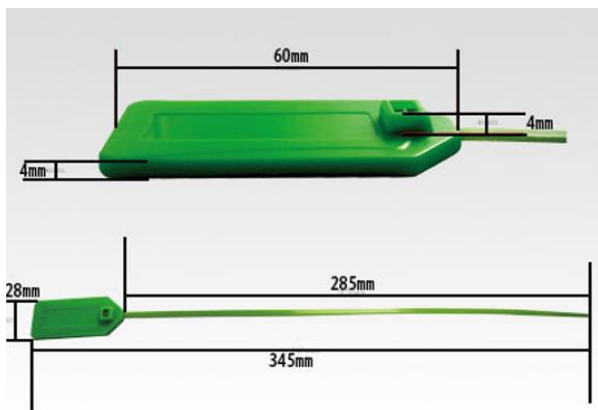


RFID Zip Tag



Application:

- Animal traceability
- Asset tracking
- Food safety traceability
- Logistics management

Key Features

- Waterproof, Anti Collision, Corrosion, Durability features;
- Flip latch location, Cable tie tape insert will not exit, Excellent locking effect;
- Chip in the label binding external position, Not affected by the strapped object, Stable reading;

Tag Spec.:

Material:	ABS Tag+ Nylon Tie	Frequency available:	HF UHF
Dimension:	#01: Total length: 345mm Tag: 60mm x 28mm x 8mm, Tail: 285mm.	Read range :	HF: 15mm ~ 50mm,
	#02: Total length: 375mm Tag: 88mm x 28mm x 8mm, Tail: 285mm		UHF: 20cm with handhold reader, 80 ~ 100cm,separated antenna
Color:	Green, Blue or customized	Operating Temperature:	-20 to 70°C
Weight:	9.5g	Storage Temperature:	-20 to 80°C

Optional :

Coding:	Chip Encoding
ID Number Printing:	Digital Printing, Laser Engrave Printing
Data Retention	10 years
Write Endurance	100,000 cycles
Packing:	100PCS/Packge,
Warranty:	1 year



The information contained on this Document is considered to be confidential material proprietary to JYL-Tech, and this information shall not be disclosed, duplicated or copied for any purpose, Nor made available for any third party without the prior consent to JYL-Tech.